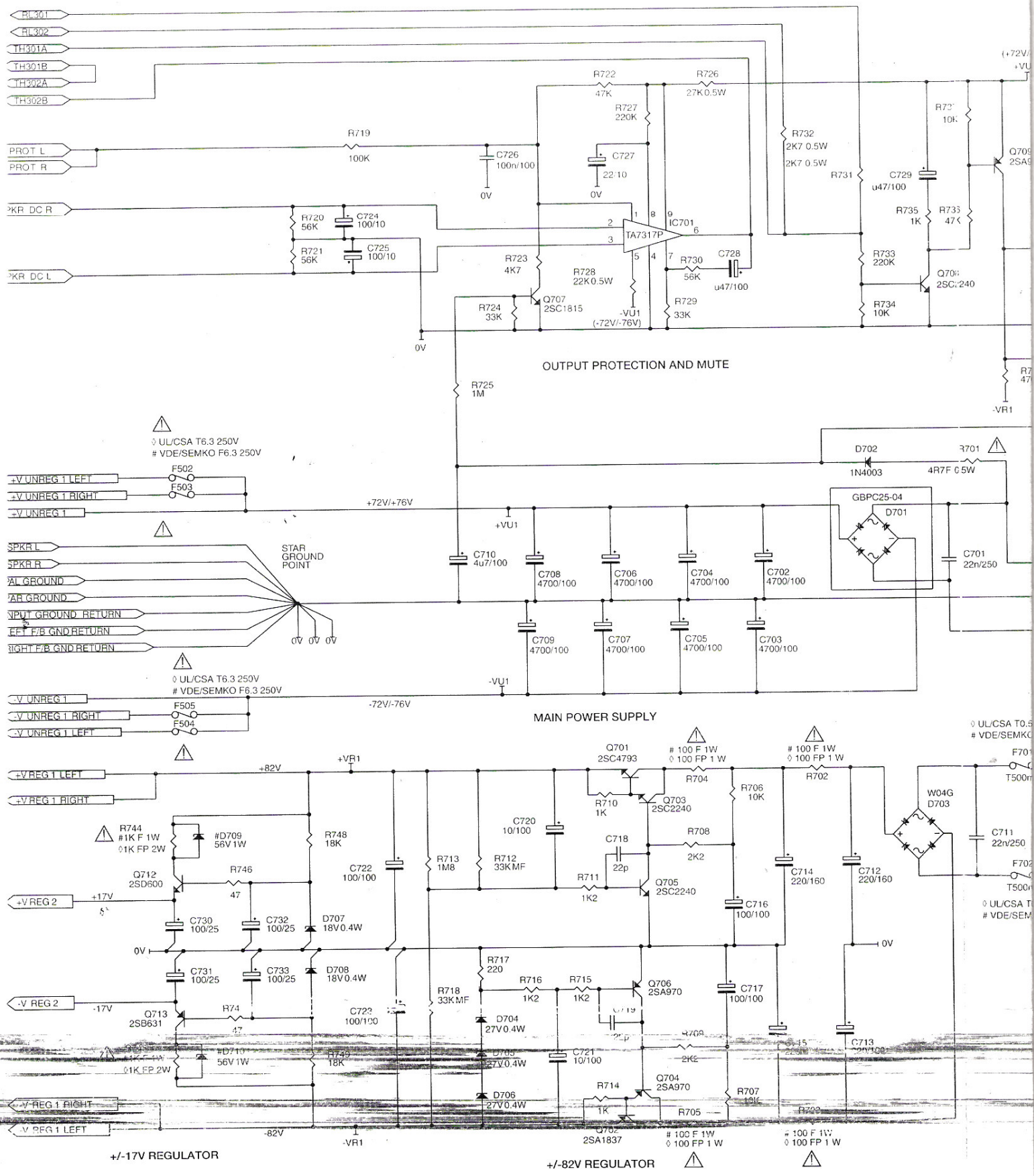
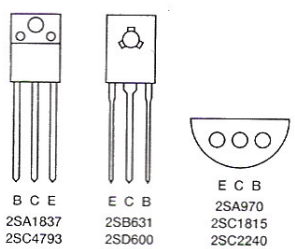
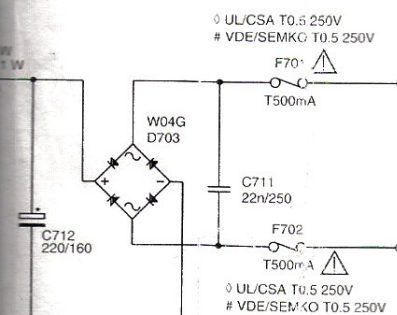
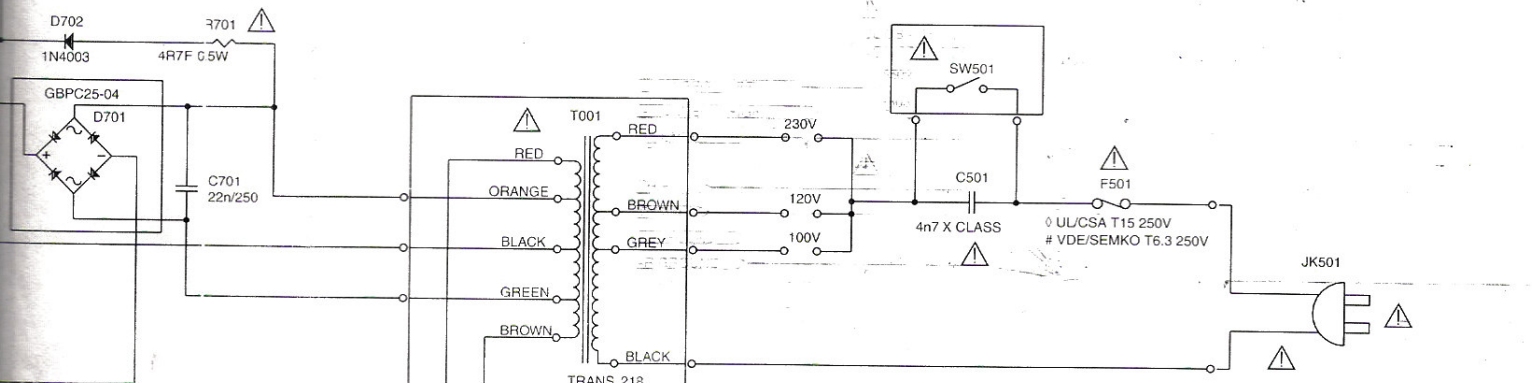
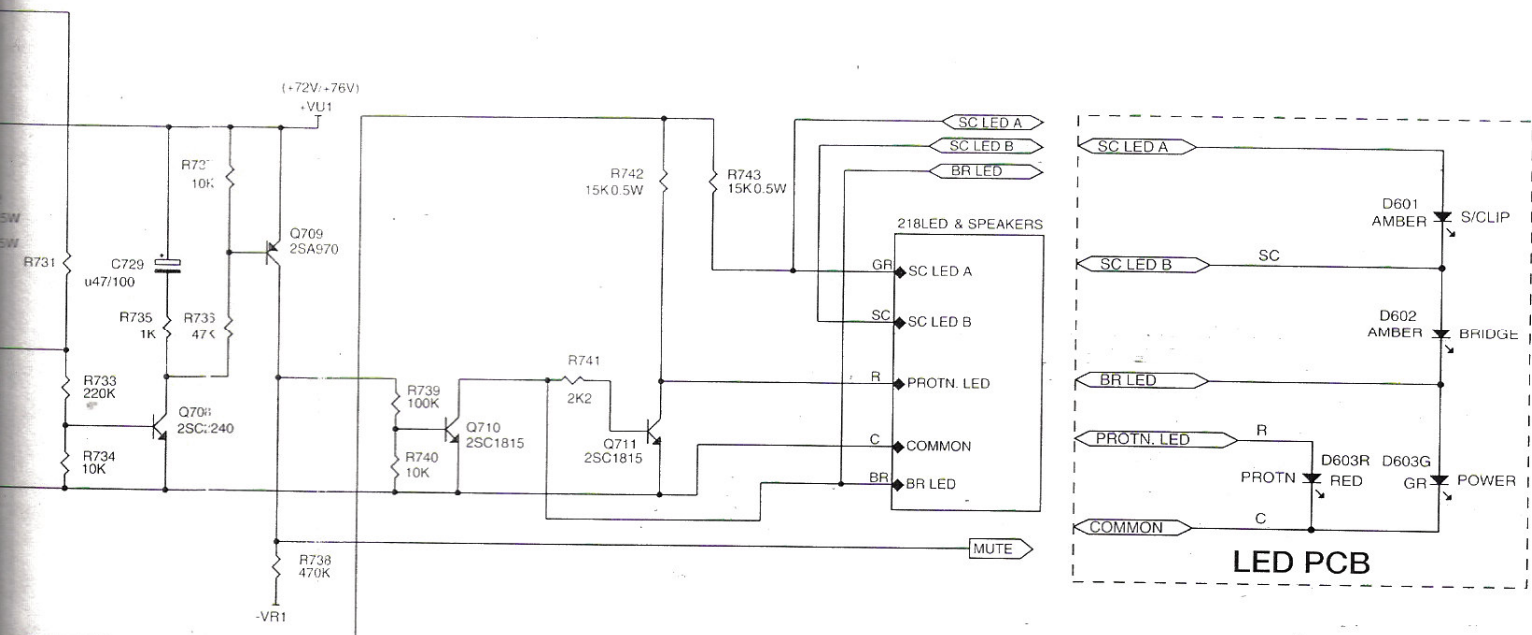


# CHEMATIC DIAGRAM

## SU





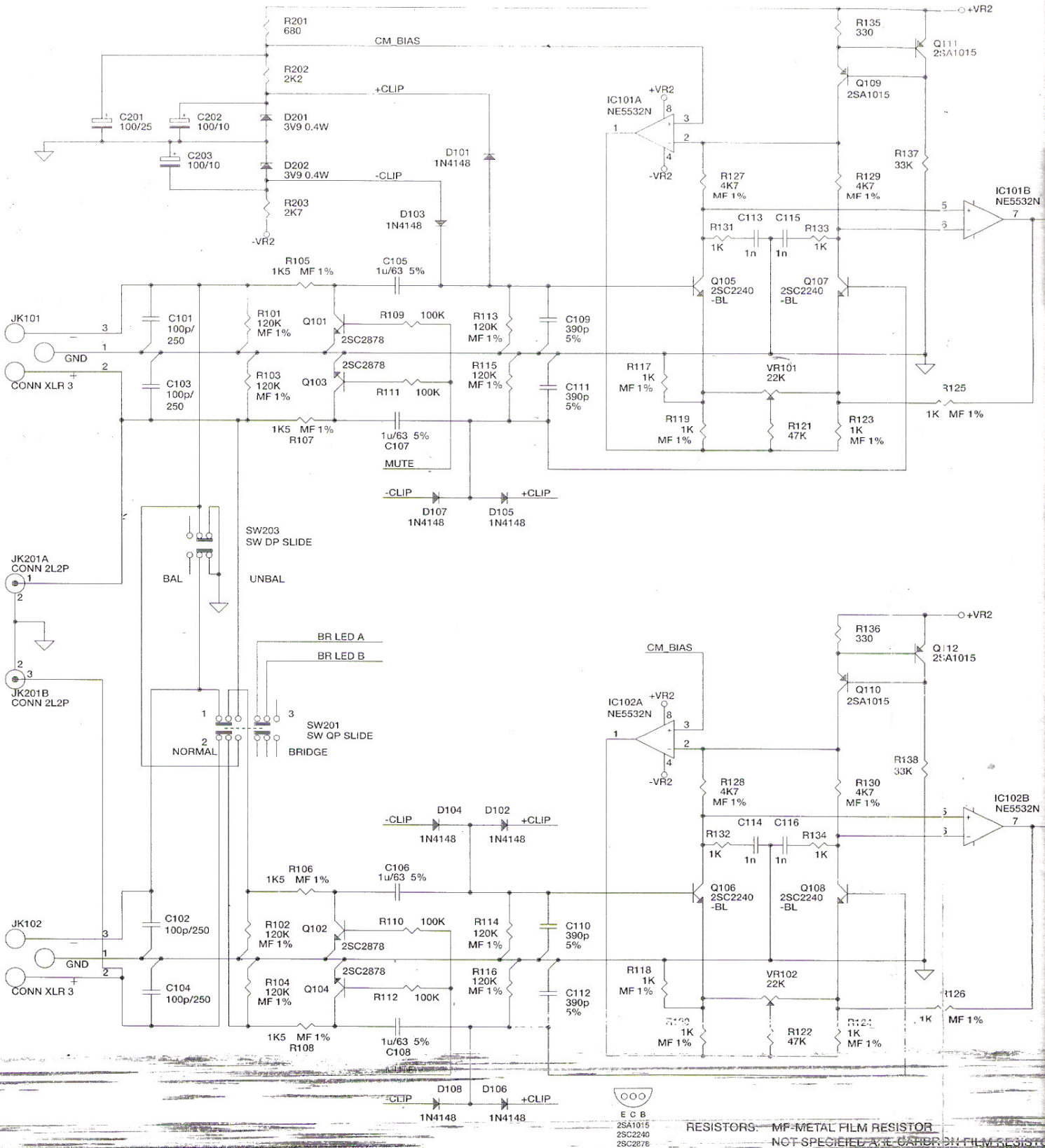
VOLTAGE CHART OF IC701, TA7317P

PIN NO.	MEASURED VOLTAGE
1	0.3
2~4	0
5	-0.77
6	1.02
7	0
8	1.32
9	3.13

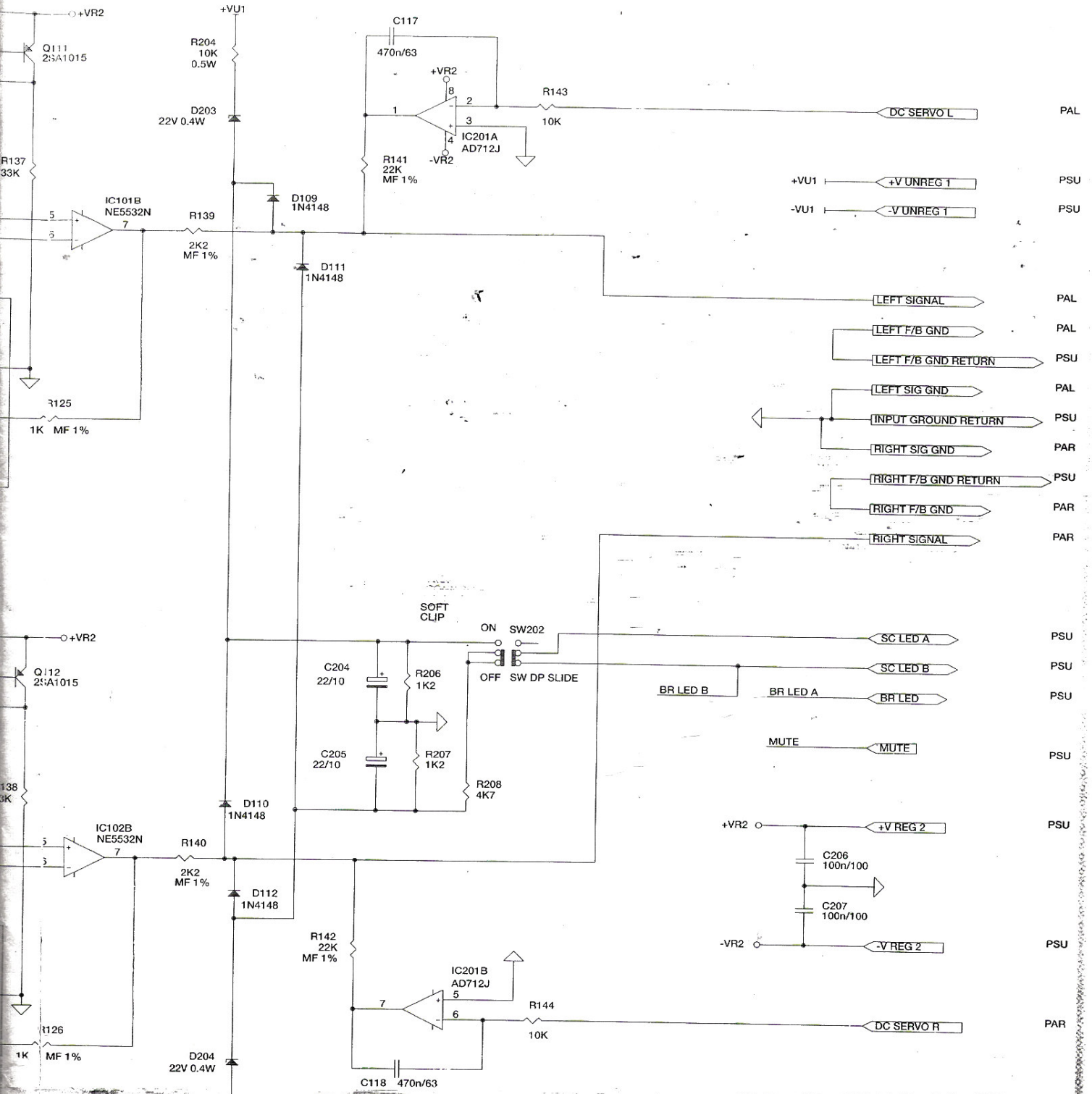
RESISTORS: MF - METAL FILM  
 F - FUSIBLE  
 FP - FLAME PROOF  
 UNLESS OTHERWISE SPECIFIED ARE CARBON FILM

- NOTE: 1. COMPONENTS MARKED WITH " # " ARE OPTIONAL ONLY.  
 2. COMPONENTS MARKED WITH " ◊ " ARE AN ALTERNATIVE.  
 3. RESISTORS, UNLESS OTHERWISE SPECIFIED, ARE 1/4 WATT.  
 4. ALL CERAMIC CAPACITOR, UNLESS OTHERWISE SPECIFIED, ARE 50V, 10%.  
 5. ALL ELECTRICAL PARTS ARE SAFETY CRITICAL PART.

# INPUT AMPLIFIER

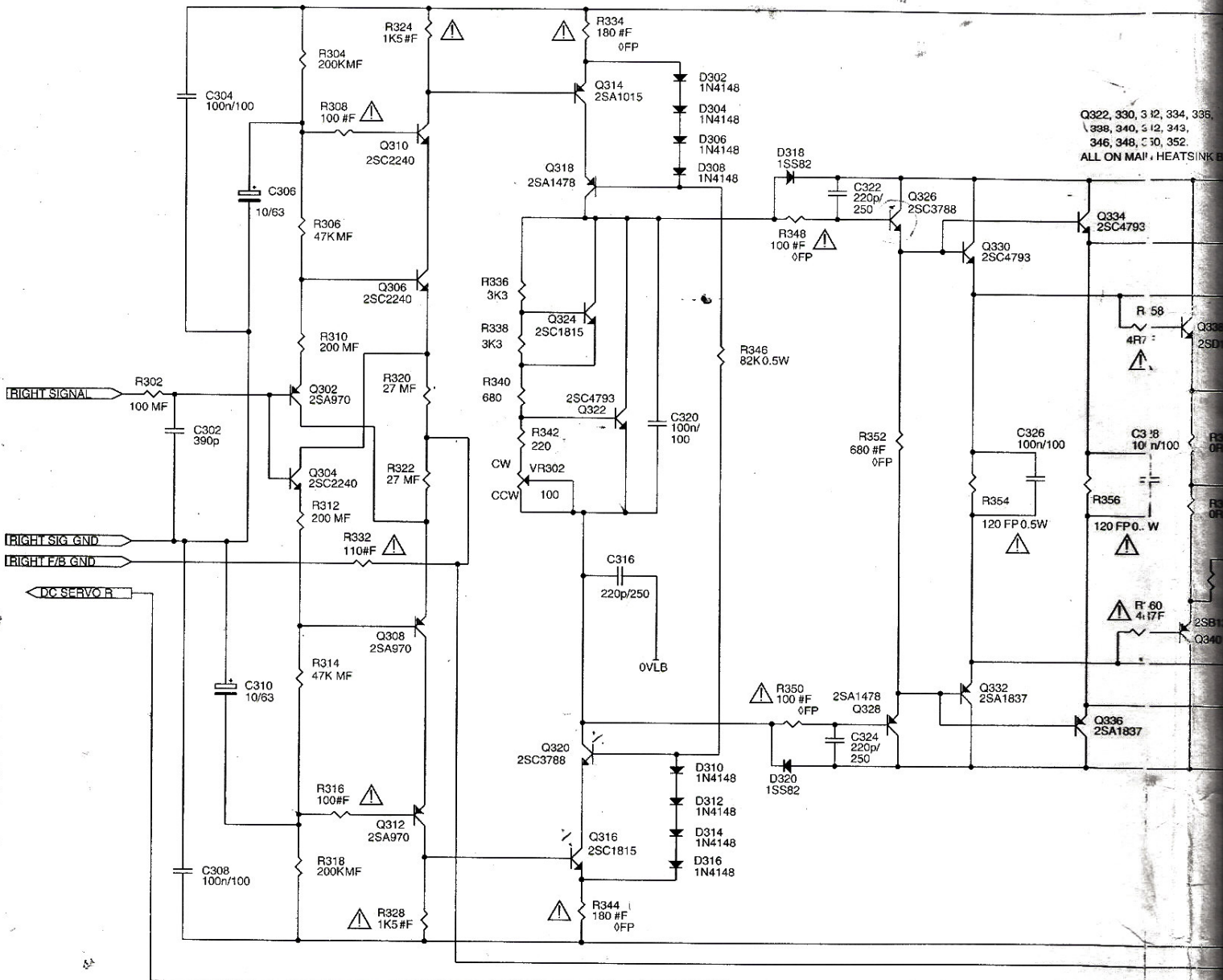


RESISTORS: MF-METAL FILM RESISTOR  
 NOT SPECIFIED ARE CARBORN FILM RESISTORS

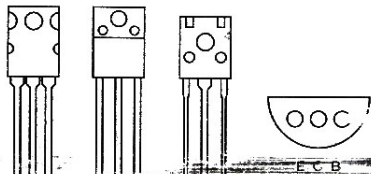


NOTE: 1. RESISTORS, UNLESS OTHERWISE SPECIFIED, ARE 1/4 WATT.

# STEREO POWER AMPLIFIER RIGHT CHANNEL



Q322, 330, 312, 334, 335,  
338, 340, 312, 343,  
346, 348, C50, 352.  
ALL ON MAIN HEATSINK

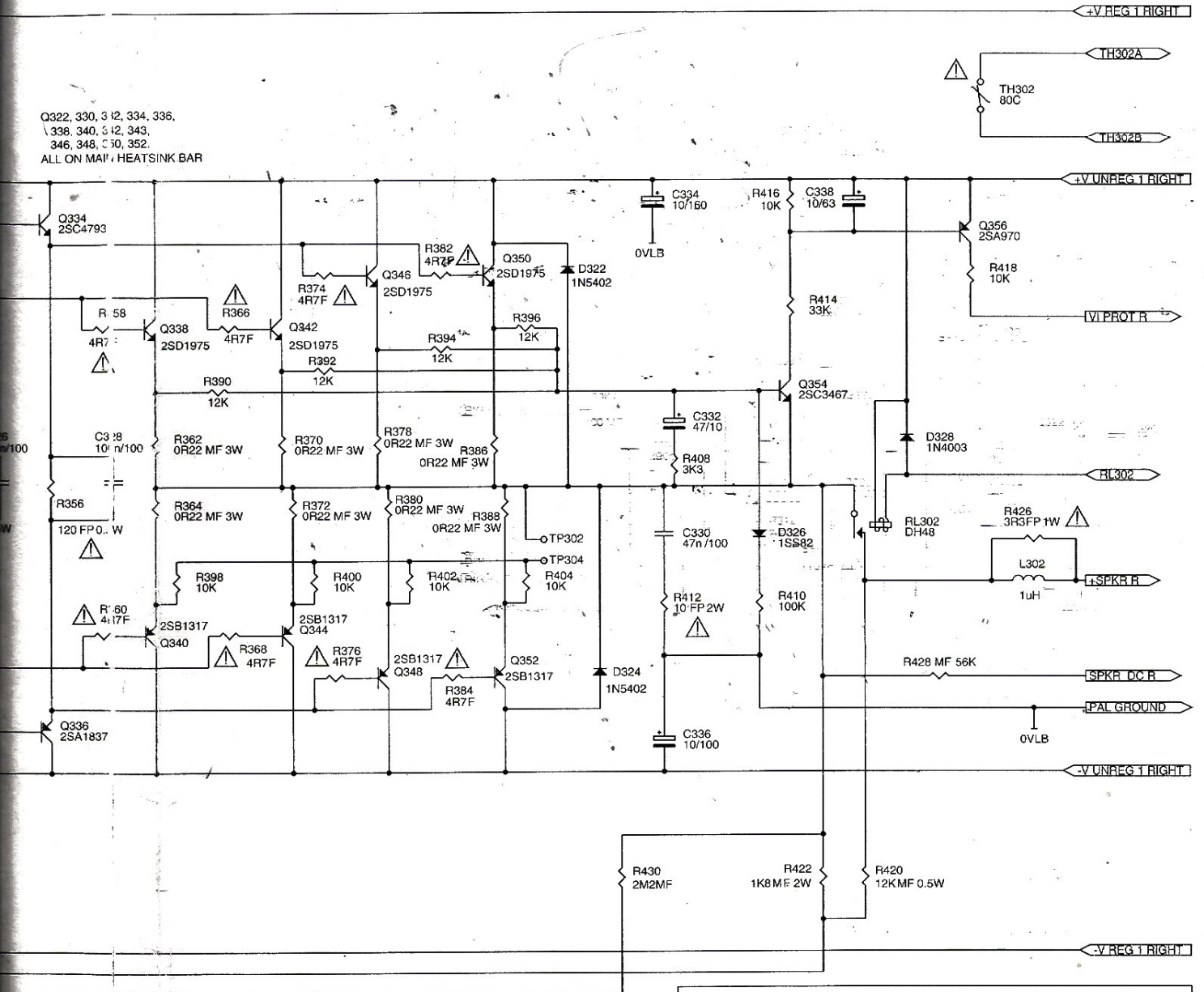


E C B	B C E	E C B	E C B
2SB1317	2SA1837	2SA1478	2SA970
2SD1975	2SC4793	2SC3788	2SC2240
			2SC3788

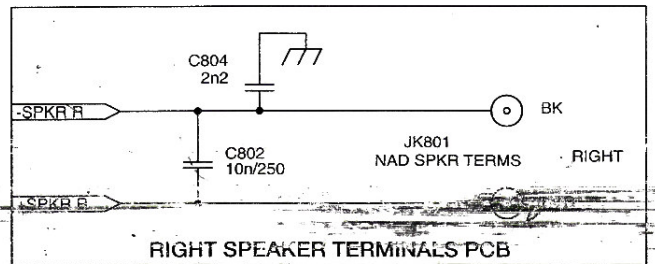
RESISTORS: MF - METAL FILM  
 F - FUSIBLE  
 FP - FLAME PROOF  
 NOT SPECIFIED ARE CARBON FILM

NOTE: 1. RESISTORS, UNLESS OTHERWISE SPECIFIED, ARE CARBON FILM.  
 2. COMPONENTS MARKED WITH A TRIANGLE ARE CARBON FILM.  
 3. COMPONENTS MARKED WITH A SQUARE ARE METAL FILM.  
 4. ALL CERAMIC CAPACITORS ARE CARBON FILM.  
 5. MARKED WITH "A" ARE SA

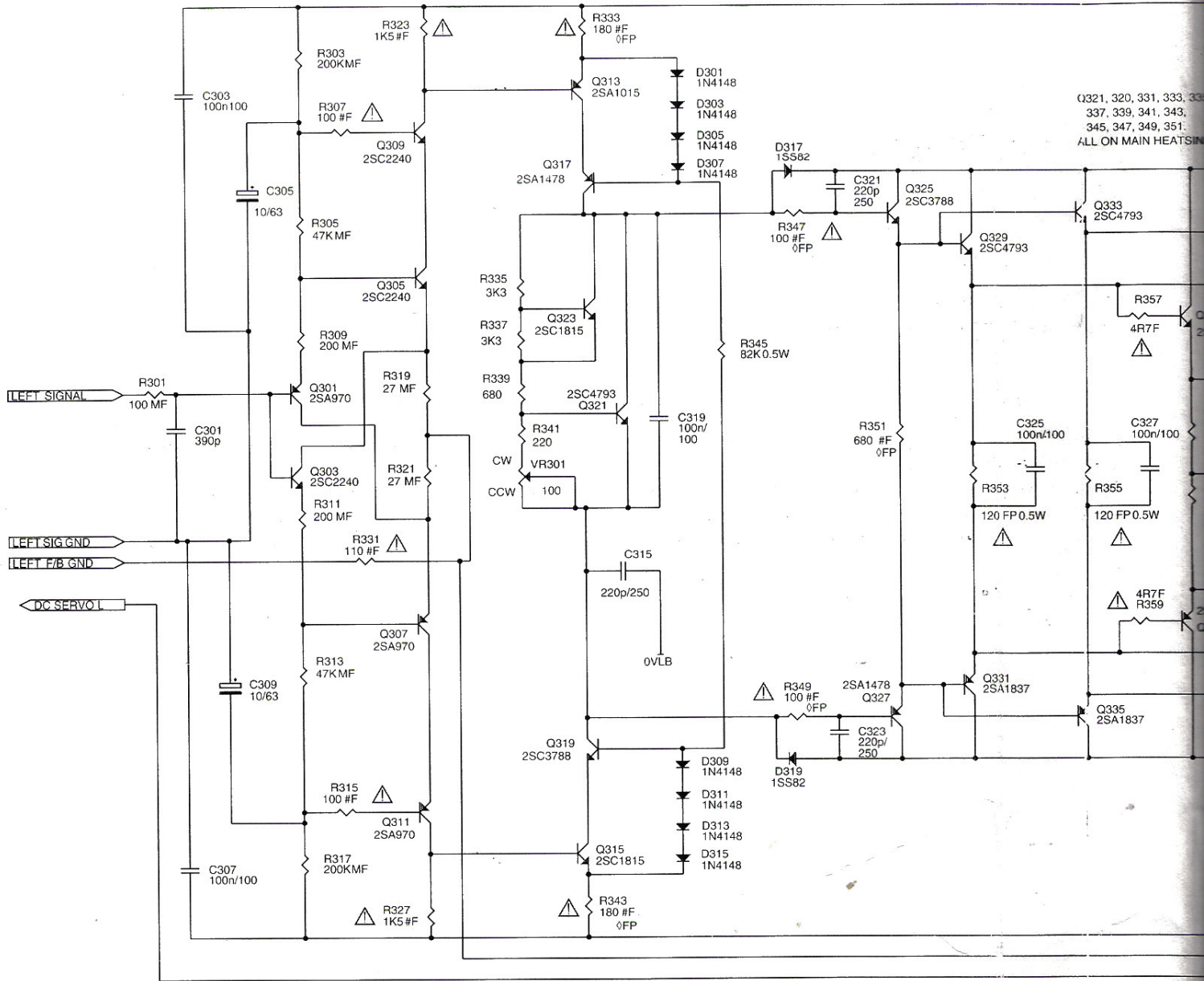
Q322, 330, 332, 334, 336,  
 338, 340, 342, 343,  
 346, 348, 350, 352.  
 ALL ON MAIN HEATSINK BAR



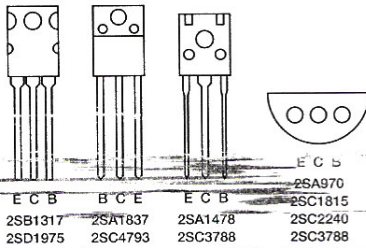
TRANSISTORS, UNLESS OTHERWISE SPECIFIED, ARE 1/4 WATT.  
 COMPONENTS MARKED WITH " # " ARE C VERSION ONLY.  
 COMPONENTS MARKED WITH " C " ARE AH VERSION ONLY.  
 CERAMIC CAPACITORS, UNLESS OTHERWISE SPECIFIED, ARE 50V, 10%.  
 COMPONENTS MARKED WITH " Δ " ARE SAFETY CRITICAL PART.



# STEREO POWER AMPLIFIER LEFT CHANNEL



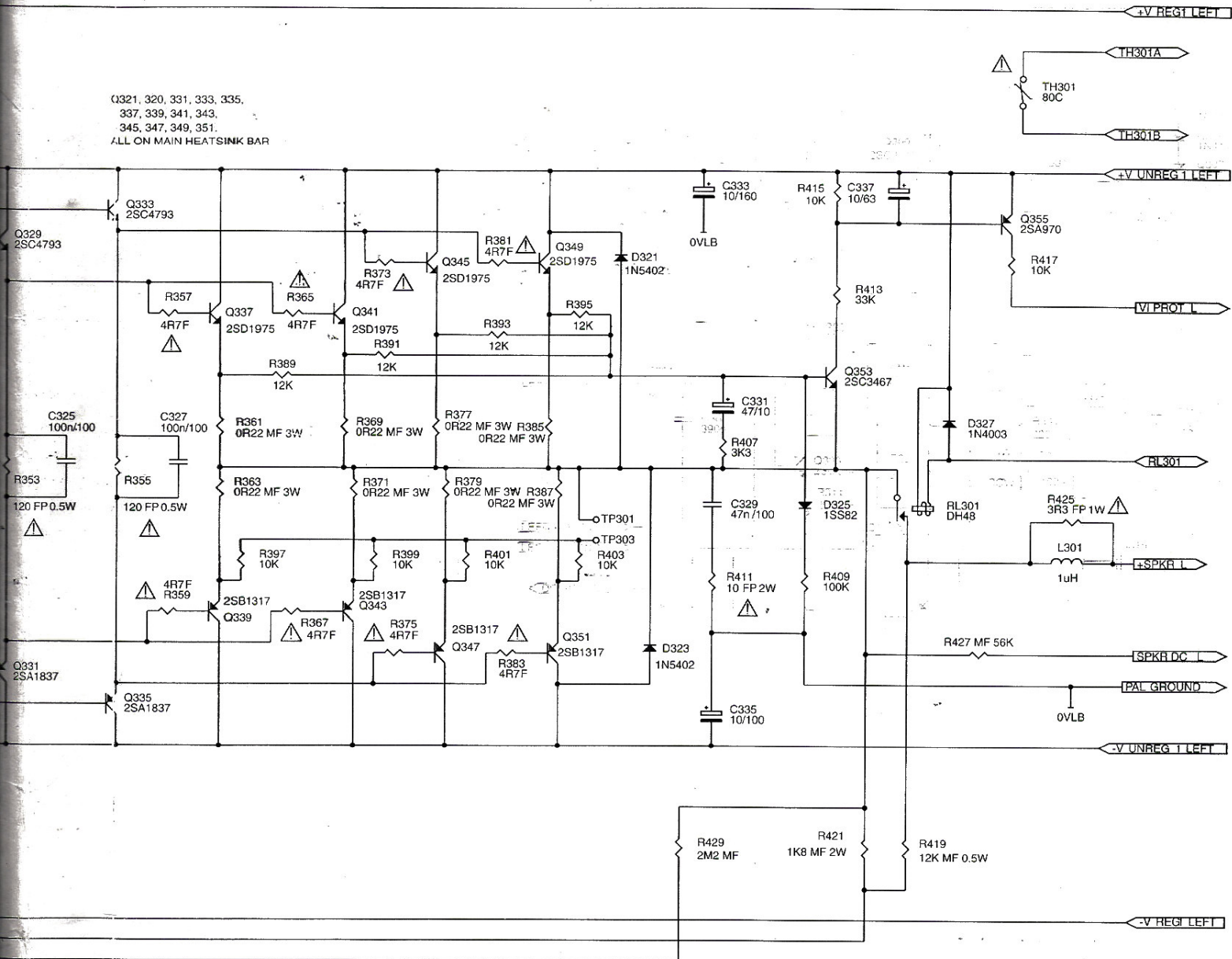
(Q321, 320, 331, 333, 337, 339, 341, 343, 345, 347, 349, 351. ALL ON MAIN HEATSINK)



RESISTORS - MF - METAL FILM  
 E - FUSIBLE  
 FP - FLAME PROOF  
 NOT SPECIFIED ARE CARBON FILM

- NOTE:
1. RESISTORS, UNLESS OTHERWISE SPECIFIED
  2. COMPONENTS MARKED WITH "△" ARE METAL FILM
  3. COMPONENTS MARKED WITH "E" ARE FUSIBLE
  4. ALL CERAMIC CAPACITORS ARE 50V
  5. MARKED WITH "△" ARE CARBON FILM

Q321, 320, 331, 333, 335,  
337, 339, 341, 343,  
345, 347, 349, 351.  
ALL ON MAIN HEATSINK BAR



1. RESISTORS, UNLESS OTHERWISE SPECIFIED, ARE 1/4 WATT.
2. COMPONENTS MARKED WITH "C" ARE C VERSION ONLY
3. COMPONENTS MARKED WITH "A" ARE A1 VERSION ONLY
4. ALL CERAMIC CAPACITORS, UNLESS OTHERWISE SPECIFIED, ARE 50V, 10%.
5. MARKED WITH "Δ" ARE SAFETY CRITICAL PART.

